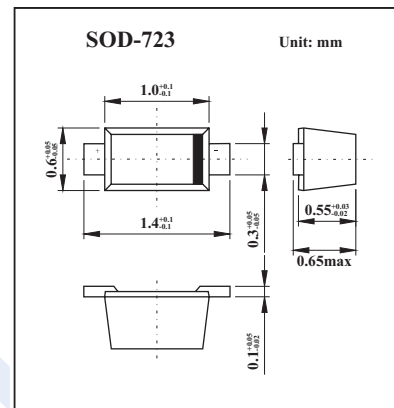


## High Speed Switching Diodes

### 1SS400G

#### ■ Features

- Small surface mounting type
- High Speed
- High reliability with high surge current handling capability



#### ■ Absolute Maximum Ratings Ta = 25°C

Parameter	Symbol	Rating	Unit
Peak reverse voltage	V <sub>RM</sub>	90	V
DC reverse voltage	V <sub>R</sub>	80	V
Average forward current	I <sub>o</sub>	100	mA
Peak forward current	I <sub>FM</sub>	225	mA
Surge current (1s)	I <sub>surge</sub>	500	mA
Junction temperature	T <sub>j</sub>	125	°C
Storage temperature	T <sub>stg</sub>	-55 to +125	°C

#### ■ Electrical Characteristics Ta = 25°C

Parameter	Symbol	Test Conditions	Min	Typ	Max	Unit
Forward voltage	V <sub>F</sub>	I <sub>F</sub> =100mA			1.2	V
Reverse current	I <sub>R</sub>	V <sub>R</sub> =80V			0.1	μA
Total Capacitance	C <sub>T</sub>	V <sub>R</sub> =0.5V, f=1MHZ			3.0	pF
Reverse recovery time	t <sub>rr</sub>	V <sub>R</sub> =6V, I <sub>F</sub> =10mA, R <sub>L</sub> =100 Ω			4	ns

#### ■ Marking

Marking	7
---------	---