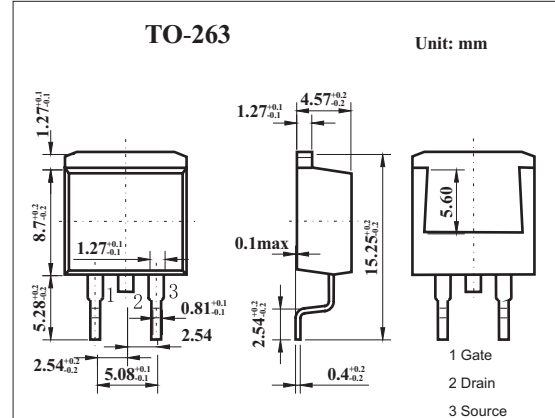


MOS Field Effect Transistor 2SK3481

■ Features

- Super low on-state resistance:
 $R_{DS(on)1} = 50 \text{ m}\Omega \text{ MAX. (} V_{GS} = 10 \text{ V, } I_D = 15 \text{ A)}$
 $R_{DS(on)2} = 58 \text{ m}\Omega \text{ MAX. (} V_{GS} = 4.5 \text{ V, } I_D = 15 \text{ A)}$
- Low C_{iss} : $C_{iss} = 2300 \text{ pF TYP.}$
- Built-in gate protection diode



■ Absolute Maximum Ratings $T_a = 25^\circ\text{C}$

Parameter	Symbol	Rating	Unit	
Drain to source voltage	V_{DSS}	100	V	
Gate to source voltage	V_{GSS}	± 20	V	
Drain current	I_D	± 30	A	
	I_{DP}^*	± 60	A	
Power dissipation	P_D	$T_c=25^\circ\text{C}$	56	W
		$T_a=25^\circ\text{C}$	1.5	
Channel temperature	T_{ch}	150	$^\circ\text{C}$	
Storage temperature	T_{stg}	-55 to +150	$^\circ\text{C}$	

* $PW \leq 10 \mu\text{s}$, Duty Cycle $\leq 1\%$

■ Electrical Characteristics $T_a = 25^\circ\text{C}$

Parameter	Symbol	Test conditions	Min	Typ	Max	Unit
Drain cut-off current	I_{DSS}	$V_{DS}=100\text{V}, V_{GS}=0$			10	μA
Gate leakage current	I_{GSS}	$V_{GS}=\pm 20\text{V}, V_{DS}=0$			± 10	μA
Gate cutoff voltage	$V_{GS(off)}$	$V_{DS}=10\text{V}, I_D=1\text{mA}$	1.5	2.0	2.5	V
Forward transfer admittance	$ Y_{fs} $	$V_{DS}=10\text{V}, I_D=15\text{A}$	9	18		S
Drain to source on-state resistance	$R_{DS(on)1}$	$V_{GS}=10\text{V}, I_D=15\text{A}$		40	50	$\text{m}\Omega$
	$R_{DS(on)2}$	$V_{GS}=4.5\text{V}, I_D=15\text{A}$		44	58	$\text{m}\Omega$
Input capacitance	C_{iss}	$V_{DS}=10\text{V}, V_{GS}=0, f=1\text{MHz}$		2300		pF
Output capacitance	C_{oss}			230		pF
Reverse transfer capacitance	C_{rss}			120		pF
Turn-on delay time	t_{on}				13	ns
Rise time	t_r	$I_D=15\text{A}, V_{GS(on)}=10\text{V}, R_G=0\Omega, V_{DD}=50\text{V}$		10		ns
Turn-off delay time	t_{off}			53		ns
Fall time	t_f			5.0		ns
Total Gate Charge	Q_G	$I_D=30\text{A}, V_{DD}=80\text{V}, V_{GS}=10\text{V}$		48		nC
Gate to Source Charge	Q_{GS}			7.0		nC
Gate to Drain Charge	Q_{GD}			12		nC