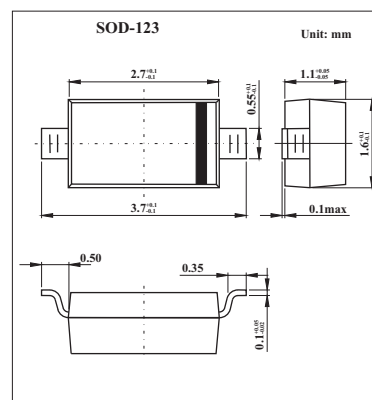


Surface Mount Switching Diode

BAV70B

■ Features

- Fast Switching Speed
- Surface Mount Package Ideally Suited for Automatic Insertion
- For General Purpose Switching Applications
- High Conductance

Absolute Maximum Ratings $T_a = 25$

Parameter	Symbol	Ratings	Unit	
Non-Repetitive Peak Reverse Voltage	V_{RM}	100	V	
Peak Repetitive Peak reverse voltage	V_{RRM}	75	V	
Working Peak Reverse Voltage	V_{RWM}			
DC Blocking Voltage	V_R			
Average Rectified Output Current	I_o	150	mA	
Forward Continuous Current	I_{FM}	300	mA	
Peak forward surge current	I_{FSM}	@ $t < 1.0 \mu s$	2.0	A
		@ $t < 1.0 s$	1.0	
Power Dissipation	P_D	350	mW	
Thermal Resistance Junction to Ambient	R_{JA}	357	/W	
Storage temperature	$T_j T_{STG}$	-65 to 150		

Electrical Characteristics $T_a = 25$

Parameter	Symbol	Conditions	Min	Max	Unit
Forward voltage	V_F	$I_F = 1mA$		0.715	V
		$I_F = 10mA$		0.855	
		$I_F = 50mA$		1.0	V
		$I_F = 150mA$		1.25	
Continuous reverse current	I_R	$V_R = 75V$		2.5	μA
		$V_R = 75V, T_j = 150$		50	μA
Total Capacitance	C_T	$V_R = 0V, f = 1MHz$		2	pF
Reverse recovery time	t_{rr}	$I_F = I_R = 10mA$ $I_{rr} = 0.1 I_R, R_L = 100$		6	ns